

Fire Alarm Bell

GB

Applications

The GB Series provide durable and dependable operation required for life safety alarm systems.

Alarm bells are low current, high decibel notification appliances for use in fire and burglary systems or other signaling applications. The GB Series is available in 24VDC or 120VAC.

The GB Series is available in 6" or 10" housing and listed for indoor and outdoor applications. Bells must be used with the GBBB box for outdoor use.

The GB Series is UL 464 listed and the units are warranted for 3 years from the date of purchase.

SERIES



GB10

GB6

GBBB

Standard Features

- Available in 24VDC or 120VAC
- Available in 6" or 10" housing
- Four wire 24VDC or 120VAC operation
- High dbA output
- Mounts to a standard 4" square electrical box
- ANSI/UL listed for outdoor use when used with the GBBB back box
- 18 AWG wire leads
- Available in red metal finish
- Meets ANSI/UL 464 requirements

Product Listings

SIGNALING



LISTED



- ANSI/UL 464
- CSFM: 7135-0569:139
- MEA: #285-91-E

Product Compliance

- NFPA 72
- Quality Management System is certified to: ISO 9001:2008



GB Series Alarm Bells 24VDC or 120VAC					
Model Number	Part Number	Voltage	Housing Size	Current Draw	dBa at 10 feet
GB6-24	904-1278-002	24VDC	6"	100mA	95
GB10-24	904-1279-002	24VDC	10"	100mA	96
GB6-120	904-1280-002	120VAC	6"	46mA	95
GB10-120	904-1281-002	120VAC	10"	46mA	98

Notes

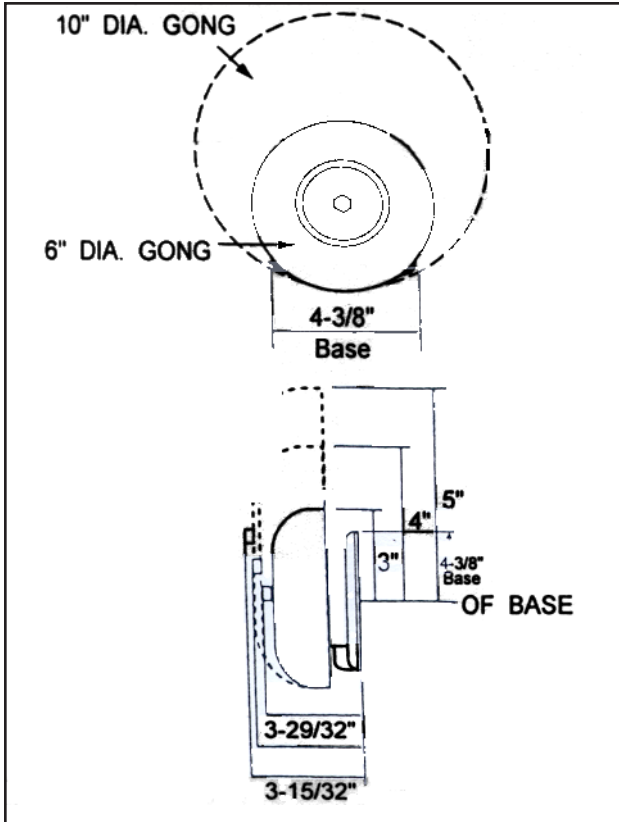
GBBB back box dimensions: 4.25" (10.7950 cm) square x 1.5" (3.81 cm) deep

GBBB part number: 901-0242-000

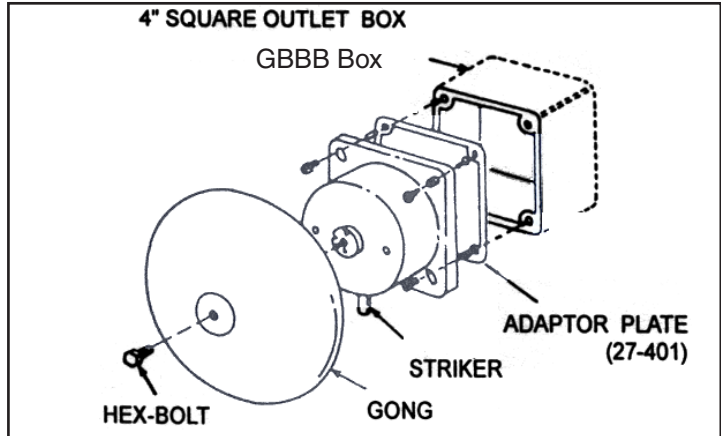
Operating Temperature for GB Series: Indoor Applications: 32°F to 120°F (0°C to 48.89°C)
Outdoor Applications: -31°F to 150°F (-35°C to 65.56°C)

GB SERIES

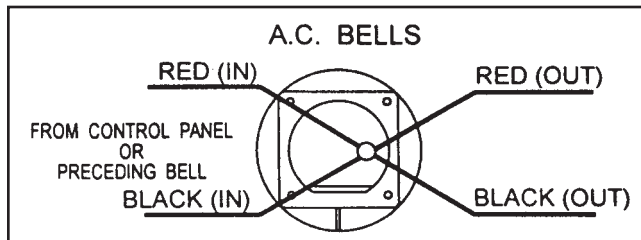
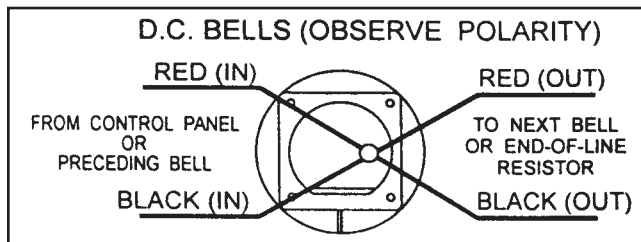
Dimensions



Mounting



Wiring Diagrams



Architect & Engineering Specifications

The audible signal shall be Gentex GB Series or approved equal and shall be listed by Underwriters Laboratories, Inc. per ANSI/UL 464. The notification appliance shall also be listed with the California State Fire Marshal (CSFM) and the Bureau of Standards and Appeals (NYC).

The notification appliance shall produce a peak sound output of 95dBA or greater as measured in an anechoic chamber. The appliance shall be polarized to allow for electrical supervision of the system wiring. The unit will mount to a double gang box or double workbox without the use of an adapter plate. The GB unit must be used with the GBBB outdoor box for outdoor applications to meet UL listing requirements.

20 units per carton
44 pounds per carton GB6
50 pounds per carton GB10

GENTEX CORPORATION

Fire Protection Products Group • www.gentex.com
10985 Chicago Drive • Zeeland, Michigan 49464
616.392.7195 • 1.800.436.8391 • 616.392.4219 Fax

Gentex Corporation reserves the right to make changes to the product data sheet at their discretion.

Important Notice:

These materials have been prepared by Gentex Corporation ("Gentex") for informational purposes only, are necessarily summary, and are not purporting to serve as legal advice and should not be used as such. Gentex makes no representations and warranties, express or implied, that these materials are complete and accurate, up-to-date, or in compliance with all relevant local, state and federal laws, regulations and rules. The materials do not address all legal considerations as there is inevitable uncertainty regarding interpretation of laws, regulations and rules and the application of such laws, regulations and rules to particular fact patterns. Each person's activities can differently affect the obligations that exist under applicable laws, regulations or rules. Therefore, these materials should be used only for informational purposes and should not be used as a substitute for seeking professional legal advice. Gentex will not be responsible for any action or failure to act in reliance upon the information contained in this material.

551-0042-03